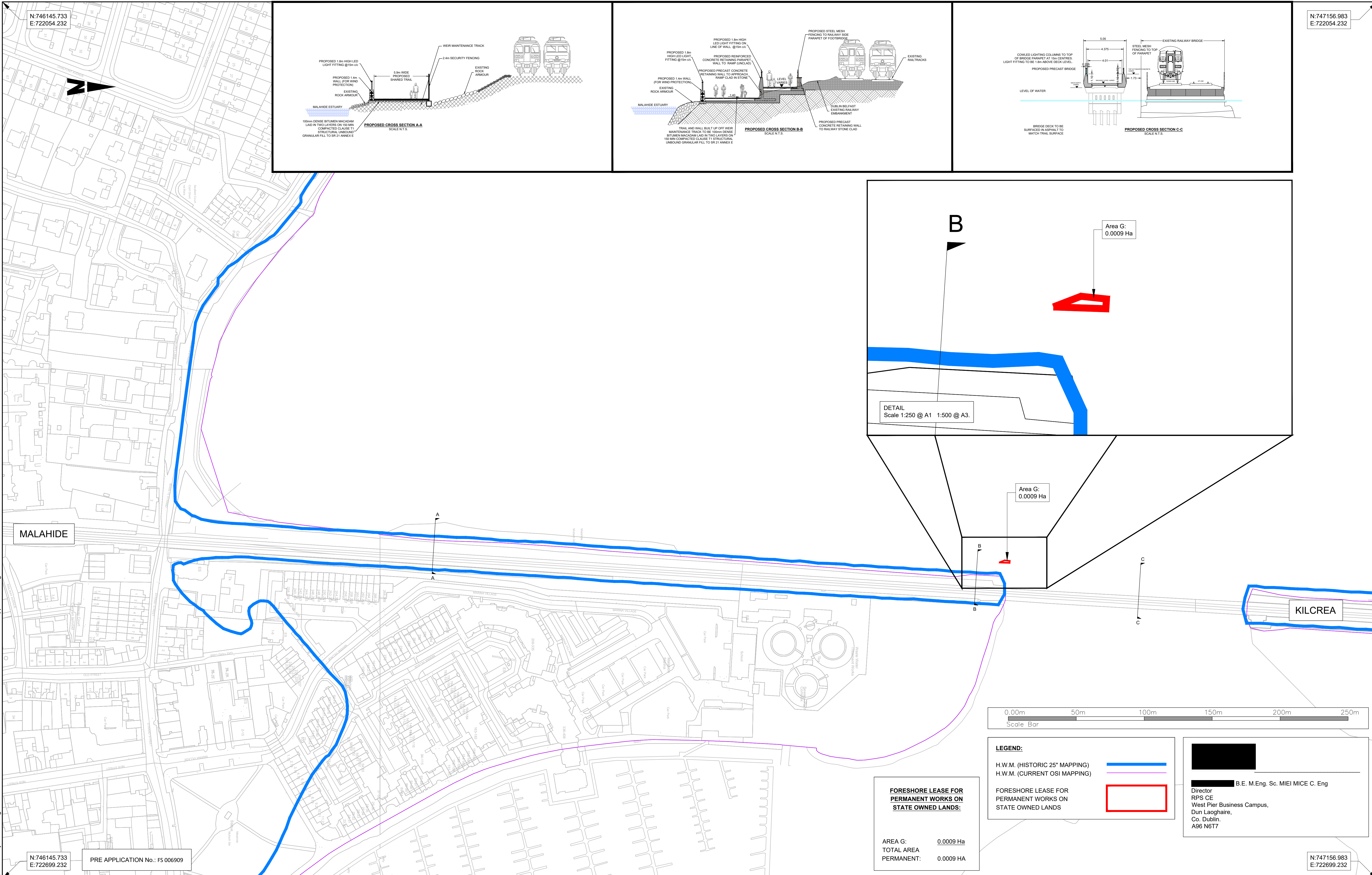
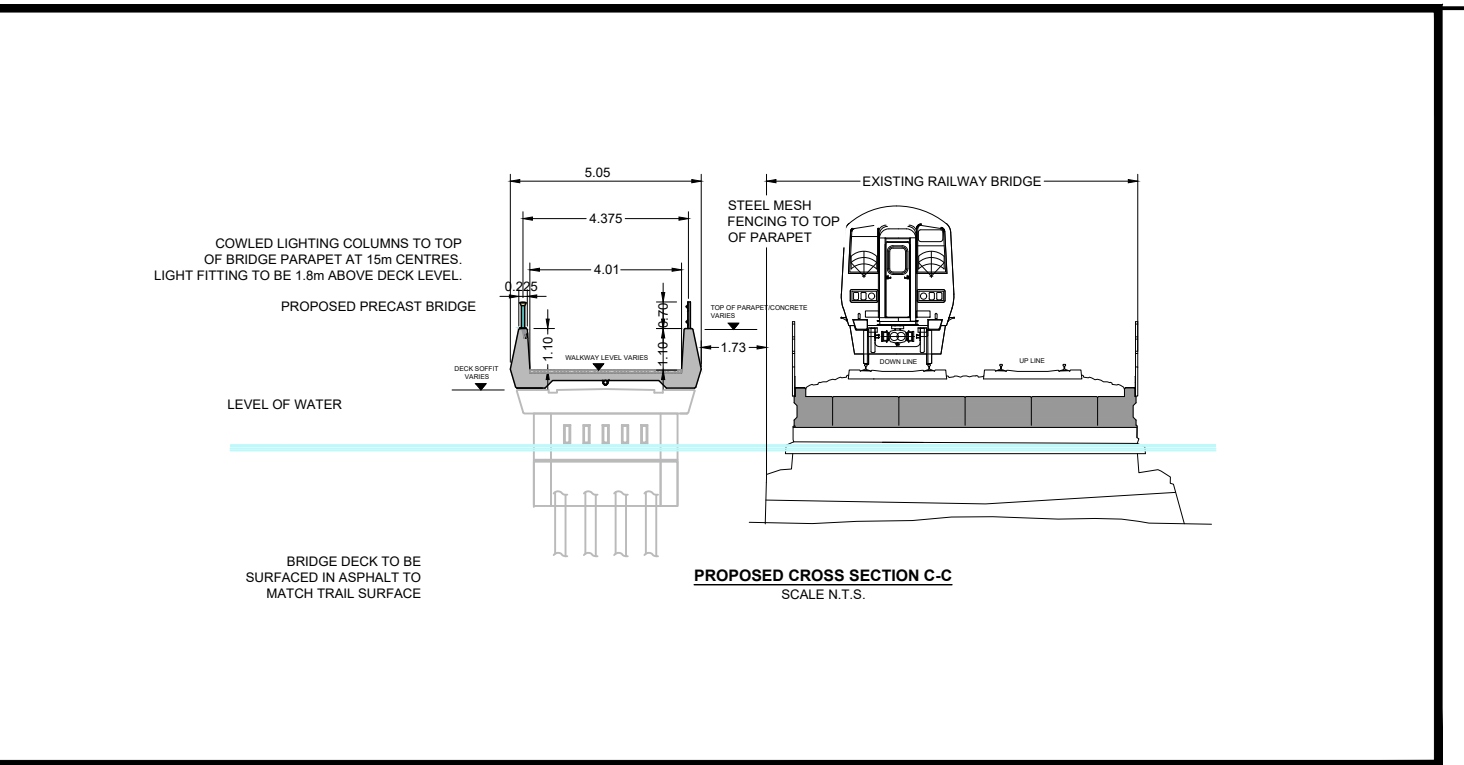
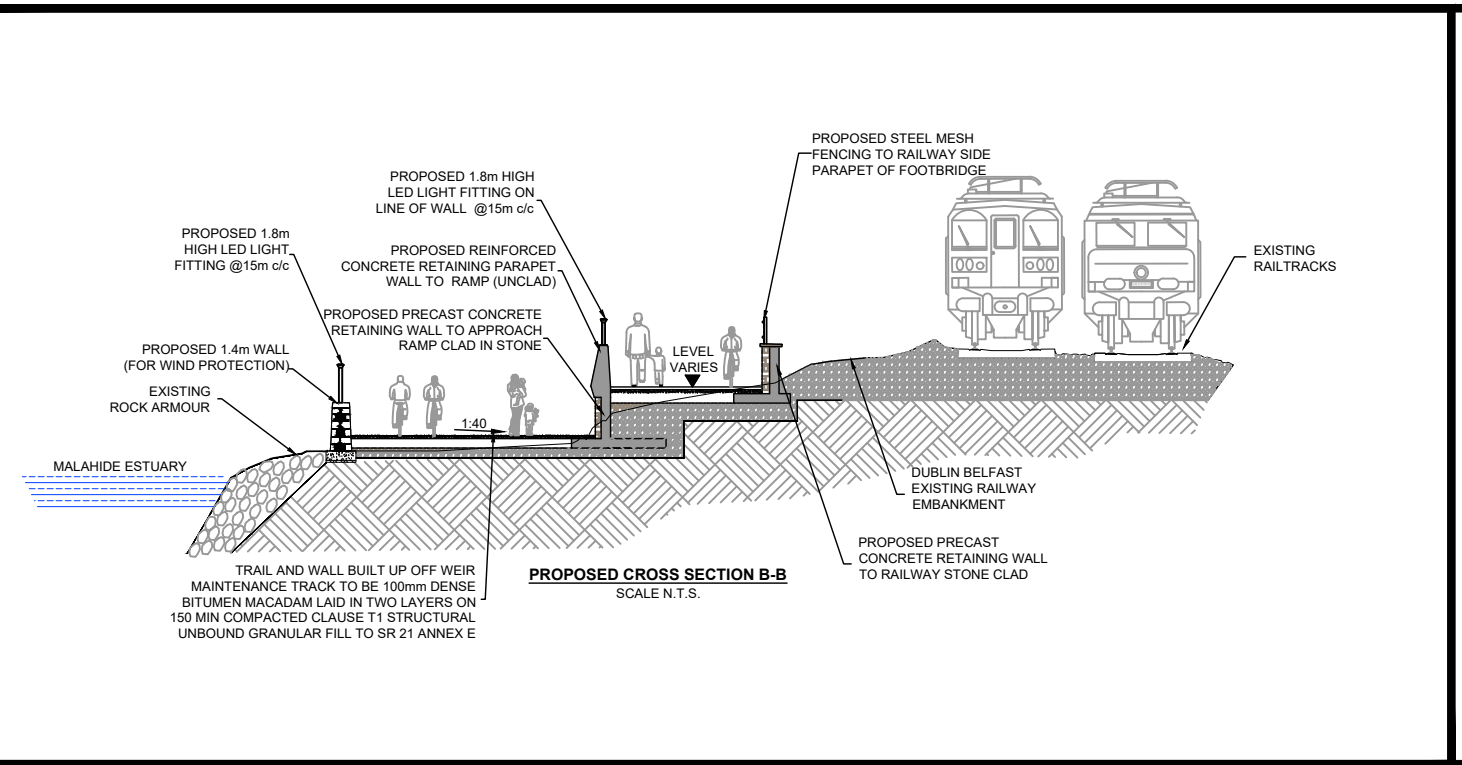
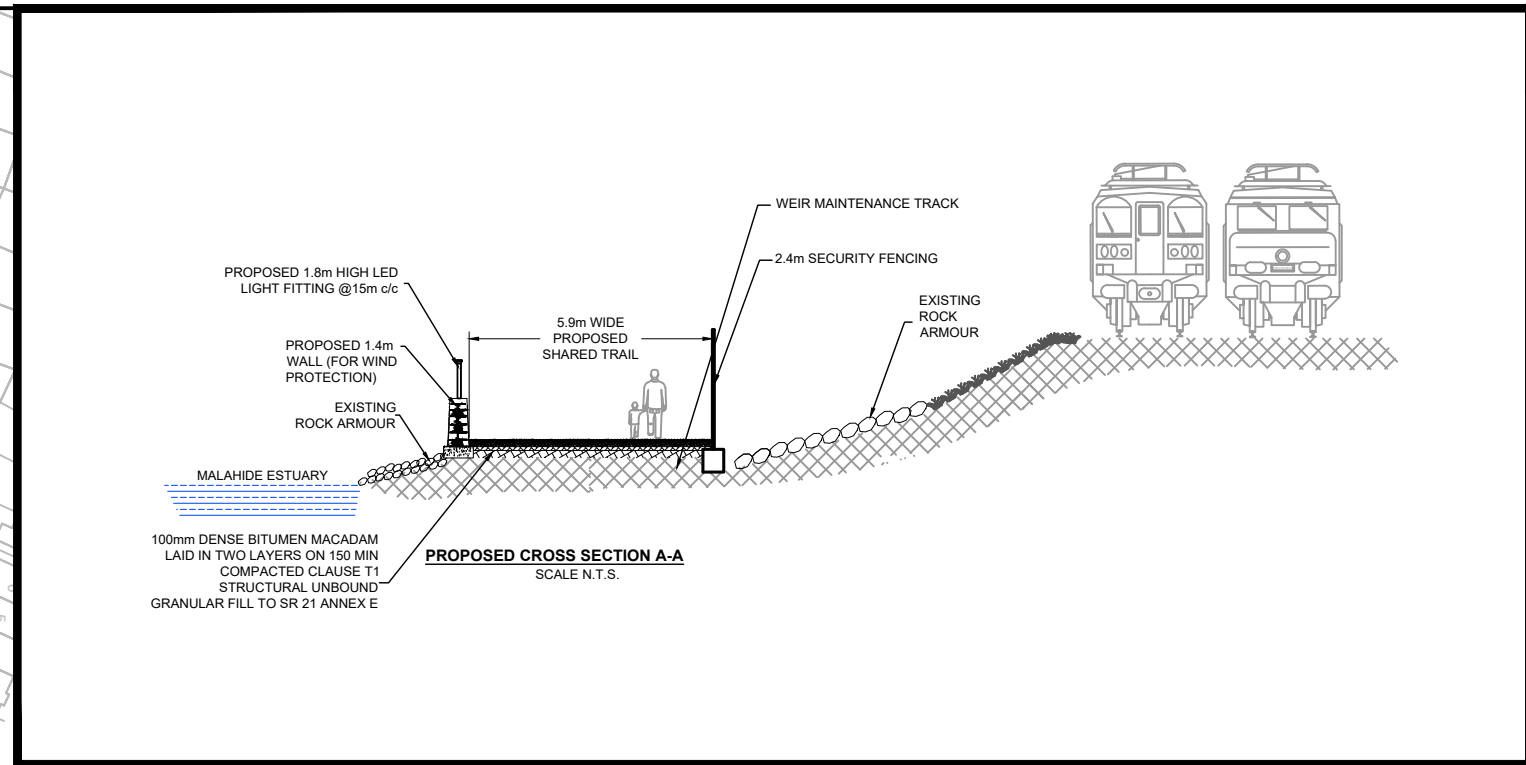


N:746145.733
E:722054.232

N:747156.983
E:722054.232



DETAIL
Scale 1:250 @ A1 1:500 @ A3.

Area G:
0.0009 Ha

Area G:
0.0009 Ha



LEGEND:

H.W.M. (HISTORIC 25\"/>

FORESHORE LEASE FOR PERMANENT WORKS ON STATE OWNED LANDS

Director
RPS CE
West Pier Business Campus,
Dun Laoghaire,
Co. Dublin,
A96 N6T7

B.E. M.Eng. Sc. MIEI MICE C. Eng

FORESHORE LEASE FOR PERMANENT WORKS ON STATE OWNED LANDS:

AREA G: 0.0009 Ha
TOTAL AREA: 0.0009 HA

N:746145.733
E:722054.232

PRE APPLICATION No.: FS 006909

N:747156.983
E:722054.232

Client

Comhairle Contae Fhine Gall
Fingal County Council

Ordnance Survey Ireland Licence No. CYAL50173842
© Ordnance Survey Ireland/Government of Ireland

General Notes

(i) Hard copies, dwf and pdf will form a controlled issue of the drawing. All other formats (dwg etc.) are deemed to be an uncontrolled issue and any work carried out based on these files is at the recipients own risk. RPS will not accept any responsibility for any errors from the use of these files, either by human error by the recipient, listing of the un-dimensioned measurements, compatibility with the recipients software, and any errors arising when these files are used to aid the recipients drawing production, or setting out on site.

(ii) DO NOT SCALE, use figured dimensions only.

(iii) This drawing is the property of RPS, it is a project confidential classified document. It must not be copied used or its contents divulged without prior written consent. The needs and expectations of client and RPS must be considered when working with this drawing.

(iv) Information including topographical survey, geotechnical investigation and utility detail used in the design have been provided by others.

(v) All Levels refer to Ordnance Survey Datum, Malin Head.

Rev	Date	Amendment / Issue	App
C01	21/02/23	APPROVED & ACCEPTED AS COMPLETE	

rps MAKING COMPLEX EASY

West Pier Business Campus
Dun Laoghaire
Co. Dublin A96 N6T7

T +353 (0)1 4882900
W www.rpsgroup.com/ireland
E ireland@rpsgroup.com

Scale 1:1250 @ A1
1:2500 @ A3

Created on 12/10/2020

Sheet 1 of 2

Project **BROADMEADOW WAY GREENWAY**

Title **SECTION 2
FORESHORE LEASE MAP
SHEET 2 OF 2**

File Identifier **MDT0915-RPS-00-XX-DR-Z- DG0004**

Status **A1**

Rev **C01**