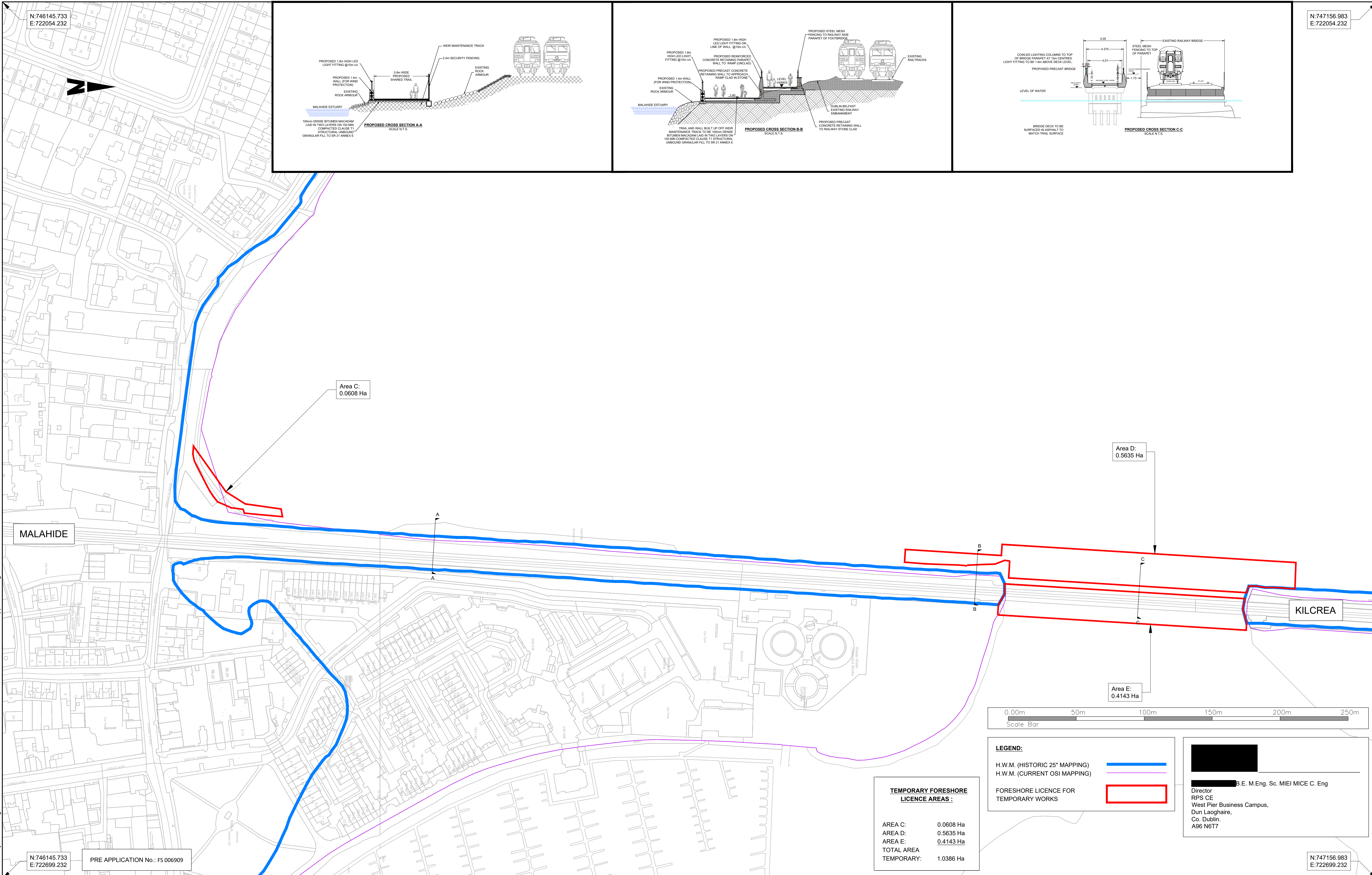
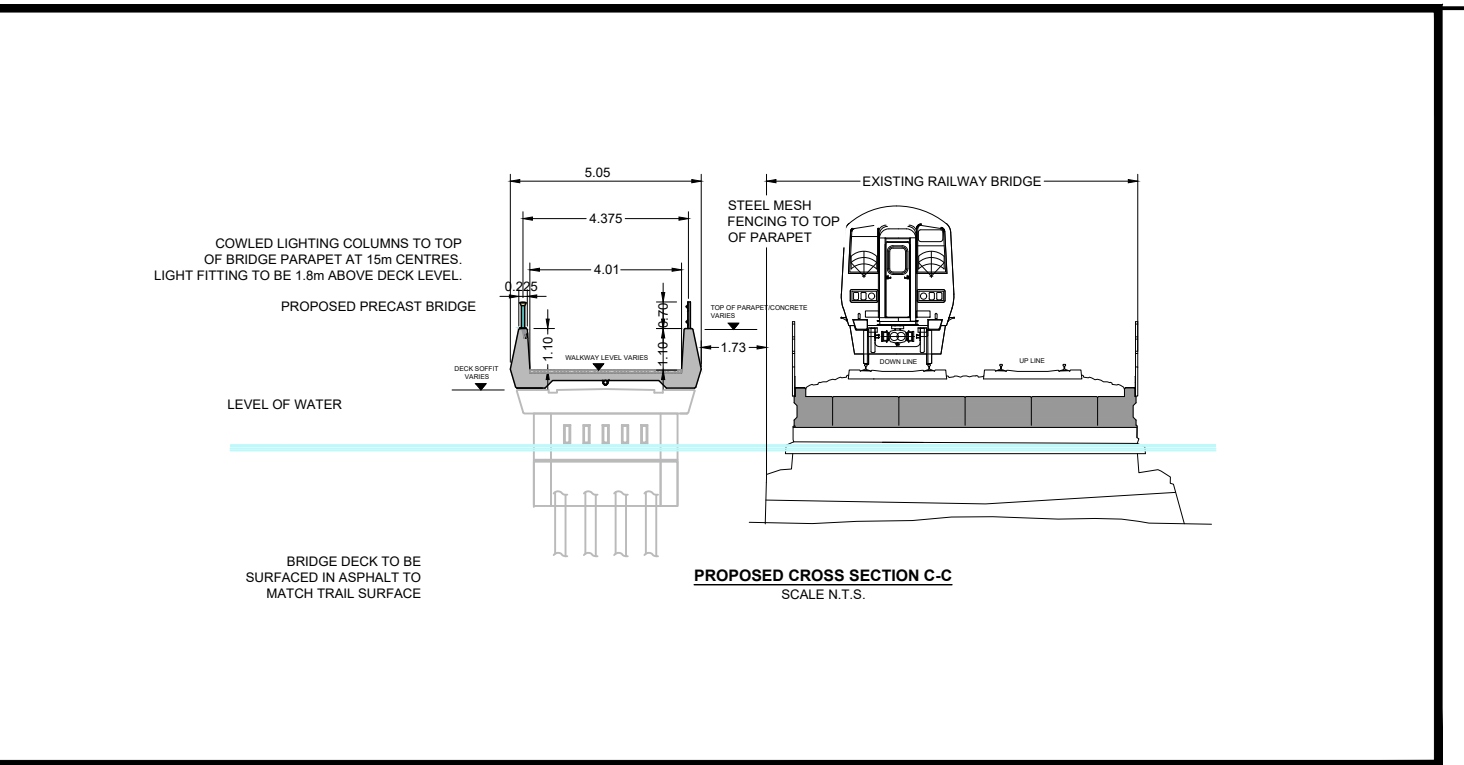
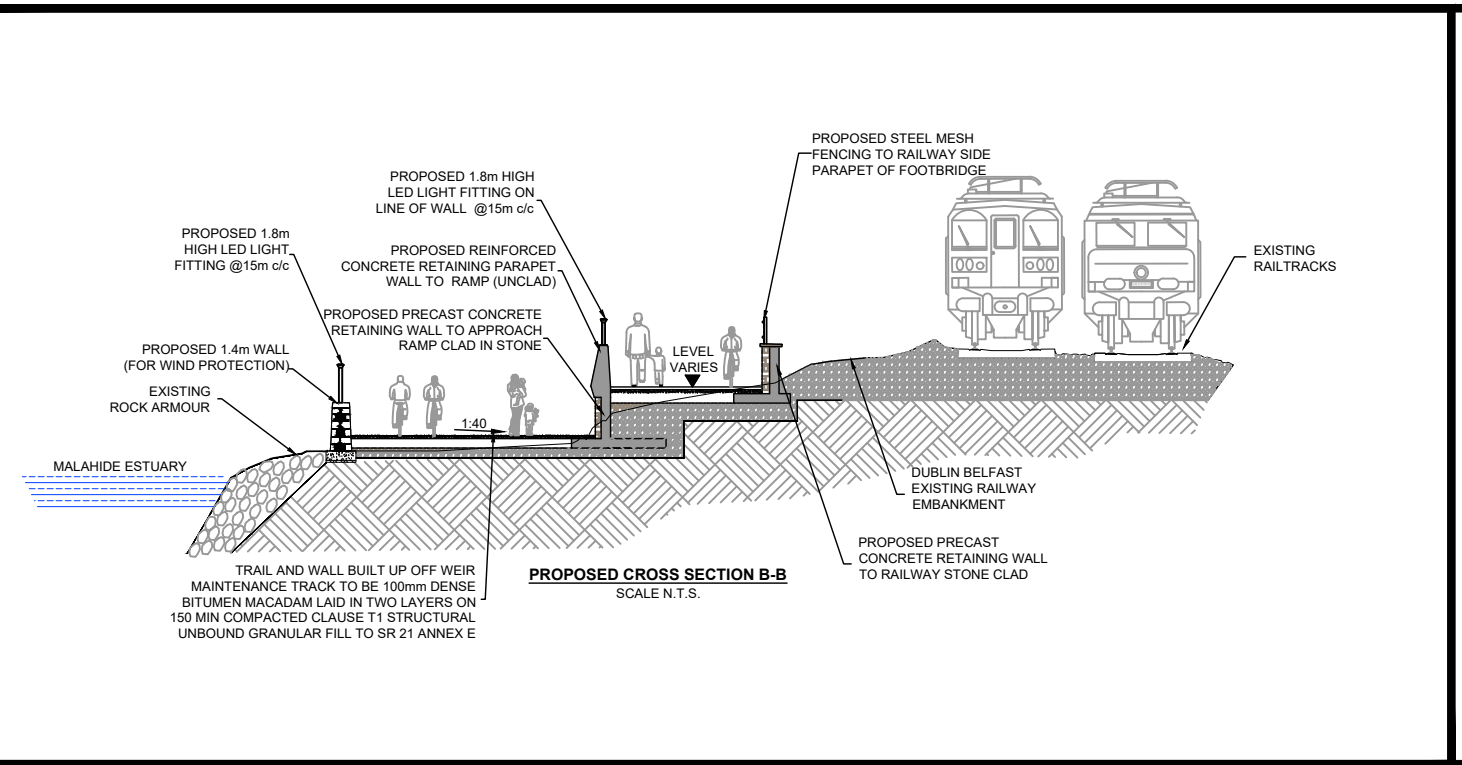
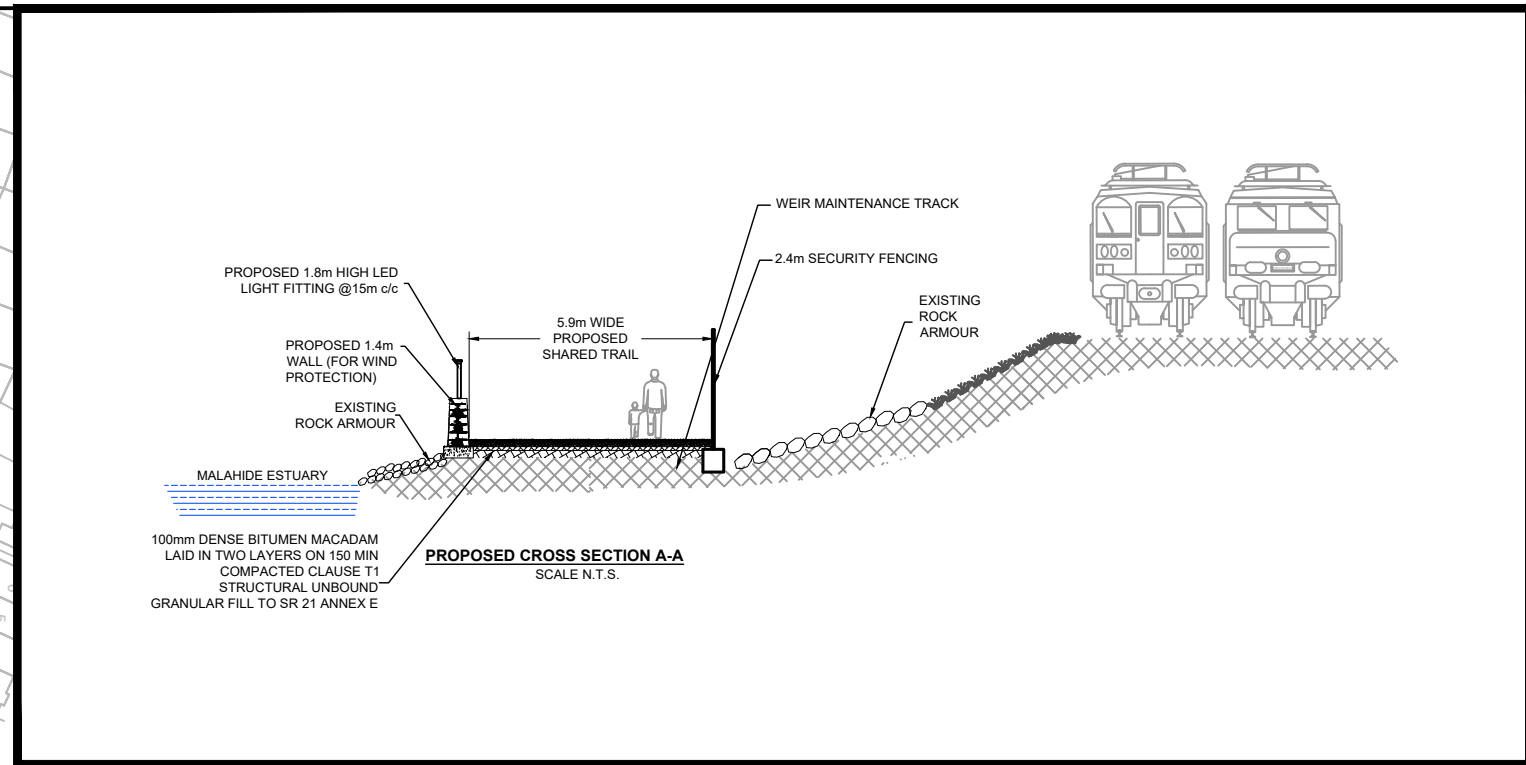


N:746145.733  
E:722054.232

N:747156.983  
E:722054.232



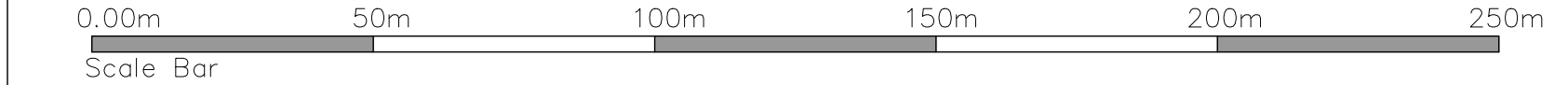
MALAHIDE

KILCREA

Area C:  
0.0608 Ha

Area D:  
0.5635 Ha

Area E:  
0.4143 Ha



**LEGEND:**

H.W.M. (HISTORIC 25" MAPPING) ————

H.W.M. (CURRENT OSI MAPPING) ————

FORESHORE LICENCE FOR TEMPORARY WORKS [Red Outline]

**Director**  
RPS CE  
West Pier Business Campus,  
Dun Laoghaire,  
Co. Dublin,  
A96 N6T7

B.E. M.Eng. Sc. MIEI MICE C. Eng

**TEMPORARY FORESHORE LICENCE AREAS:**

AREA C:	0.0608 Ha
AREA D:	0.5635 Ha
AREA E:	0.4143 Ha
TOTAL AREA:	1.0386 Ha
TEMPORARY:	1.0386 Ha

N:746145.733  
E:722699.232

PRE APPLICATION No.: FS 006909

N:747156.983  
E:722699.232

Client

**Comhairle Contae Fhine Gall**  
Fingal County Council

Ordnance Survey Ireland Licence No. CYAL50173842  
© Ordnance Survey Ireland/Government of Ireland

**General Notes**

(i) Hard copies, dwf and pdf will form a controlled issue of the drawing. All other formats (dwg etc.) are deemed to be an uncontrolled issue and any work carried out based on these files is at the recipients own risk. RPS will not accept any responsibility for any errors from the use of these files, either by human error by the recipient, listing of the un-dimensioned measurements, compatibility with the recipients software, and any errors arising when these files are used to aid the recipients drawing production, or setting out on site.

(ii) DO NOT SCALE, use figured dimensions only.

(iii) This drawing is the property of RPS, it is a project confidential classified document. It must not be copied used or its contents divulged without prior written consent. The needs and expectations of client and RPS must be considered when working with this drawing.

(iv) Information including topographical survey, geotechnical investigation and utility detail used in the design have been provided by others.

(v) All Levels refer to Ordnance Survey Datum, Malin Head.

Rev	Date	Amendment / Issue	App	Model File Identifier
C03	28/02/23	APPROVED & ACCEPTED AS COMPLETE		
C02	21/02/23	APPROVED & ACCEPTED AS COMPLETE		
C01	31/05/21	APPROVED & ACCEPTED AS COMPLETE		

**rps** MAKING COMPLEX EASY

West Pier Business Campus  
Dun Laoghaire  
Co. Dublin A96 N6T7

T +353 (0)1 4882900  
W www.rpsgroup.com/ireland  
E ireland@rpsgroup.com

Scale: 1:1250 @ A1  
1:2500 @ A3

Created on: 12/10/2020

Sheet: 1 of 2

Project: BROADMEADOW WAY GREENWAY

Title: SECTION 3  
FORESHORE LICENCE MAP  
SHEET 1 OF 1

File Identifier: MDT0915-RPS-00-XX-DR-Z- DG0001

Status: A1

Rev: C03

R:\MDT0915 - Broadmeadow Way Greenway\6.0 Drawings\DGMDT0915-RPS-00-XX-DR-Z- DG0004 - Foreshore Licence Application.dwg